

DUR-A-LIFT®

DPM 36 DPM 40

LARGE THINGS, DO COME IN SMALL PACKAGES.

Conveniently positioned controls will allow the operator to be more effective when maneuvering their materials.



-35° Boom angle gives the operator the flexibility of ground level basket access for overall ease of use.



DPM model offers options for double person baskets in our DU and DP series.



Convenient compartment access from the basket improves efficiency by eliminating the need to exit and re-enter the basket when additional tools are needed.



Up To 45' Working Height

sales@dur-a-lift.com
www.dur-a-lift.com

Dur-A-Lift Inc, P.O. Box 31, George, Iowa 51237
(877) 4-DURALIFT (877) 438-7254 | Fax: (712) 475-2809

SPECIFICATIONS

	DPM 36	DPM 40
• Height to Bottom of Platform	36'	40'
• Working Height	41'	45'
• Side Reach (MH, DU, AND DP Models)	27'6"	31'6"
• Side Reach (SP Model)	29'6"	33'6"
• Approximate Stowed Travel Height	10'6"	10'6"
• Platform Capacity (SP and MH Models)	400#	400#
• Platform Capacity Using Jib (DU Model)	400#	400#
• Platform Capacity not Using Jib (DU Model)	550#	550#
• Platform Capacity (DP Model)	600#	600#
• Approximate Weight	3700#	3900#
• Articulating Arm Travel (MH, DU, and DP)	0° to 80°	0° to 80°
• Articulating Arm Travel (SP)	0° to 96°	0° to 96°
• Main Boom Travel	-35° to +80°	-35° to 80°
• Extension Travel	96"	120"

Minimum GVWR will change significantly depending on make of chassis and stabilizer option. Dur-A-Lift Inc. reserves the right to improve models and change specifications without notice or obligation. Dur-A-Lift equipment meets or exceeds all applicable ANSI Standards as of the date of manufacture.

STANDARD FEATURES

- Proportional Controls
- Lower Override Controls
- Engine Start/Stop from Basket
- Basket Access from Ground
- Compensated Upper Boom
- Insulated Cat "C" Extension Boom
- Hydraulic Basket Leveling
- Continuous Rotation

DPM-36/40 MH FEATURES

- Up to 1000# Jib and Winch
- Upper and Lower Winch Control
- 400# Basket Capacity
- 24" X 30" Fiberglass Basket
- 100° Basket Rotator

DPM-36/40 DP FEATURES

- 600# Basket Capacity
- 24" X 48" Fiberglass Basket
- 180° Basket Rotator

DPM-36/40 DU FEATURES

- Up to 1000# Jib and Winch
- 550# Basket Capacity **When Not Using Winch**
- 400# Basket Capacity **When Using Winch**
- 24" X 48" Fiberglass Basket
- 24" X 42" Aluminum Basket
- 100° Basket Rotator

DPM-36/40 SP FEATURES

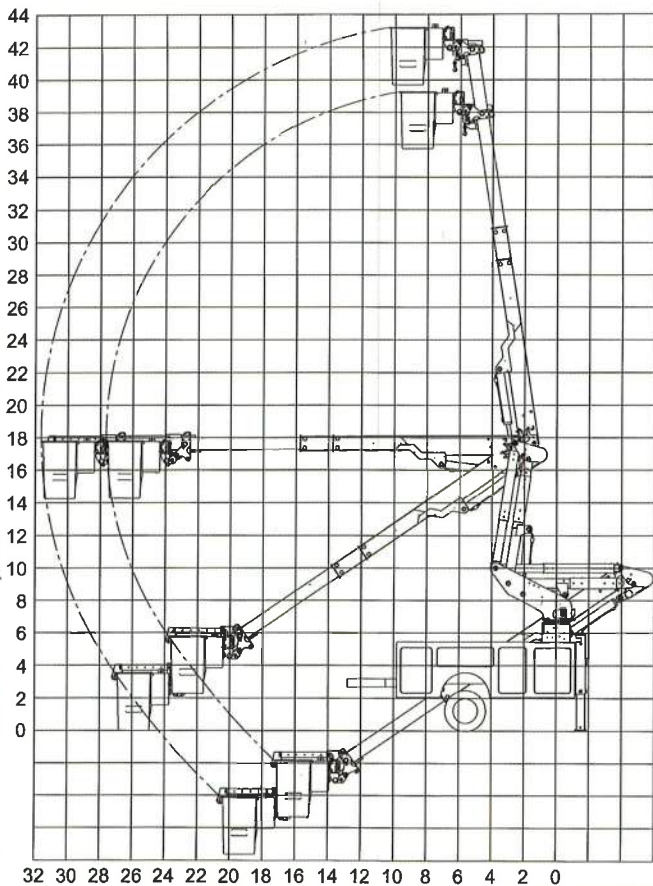
- Standard 24" X 30" Fiberglass Basket
- 180° Basket Rotator
- 400# Basket Capacity
- 33' 6" Side Reach

OPTIONS

- Joystick and Lockout Controls
- Outriggers
- Basket Liner for Fiberglass Baskets
- Fiberglass Insert on Main and Articulating Booms
- Tool Circuits
- D.C. Backup System
- 180° Basket Rotator (MH and DU)
- Aluminum Basket

This aerial lift is sold and serviced by:

REACH & ELEVATION



Basket shown in end hung position