

# DUR-A-LIFT®

**DTA 35/40**  
**DTAS 35/40**

## TELESCOPIC ARTICULATING AERIAL LIFT Insulated or Non-Insulated

Multiple Basket  
Configurations Available



Experience the capabilities of the  
Telescopic Articulating design for  
greater side reach and working heights

**Your truck, your way !**

[sales@dur-a-lift.com](mailto:sales@dur-a-lift.com)  
[www.dur-a-lift.com](http://www.dur-a-lift.com)

Dur-A-Lift Inc, P.O. Box 31, George, Iowa 51237  
(877) 4-DURALIFT (877) 438-7254 | Fax: (712) 475-2809

## STANDARD FEATURES

### SPECIFICATIONS

	DTA 35	DTA 40
• Height to Bottom of Platform	35'	40'
• Working Height	40'	45'
• Side Reach (side hung)	25' 6"	27' 6"
• Side Reach (end hung)	27' 6"	29' 6"
• Stowed Travel Height	10'	10'
• Basket Capacity (side hung)	400 lbs.	400 lbs.
• Basket Capacity (end hung)	350 lbs.	350 lbs.
• Approximate Weight	2400 lbs.	2750 lbs.
• Articulating Arm Travel	-2° to 80°	-2° to 80°
• Main Boom Travel	-25° to + 78°	-25° to + 78°
• Extension Travel	110.5"	120"

Minimum GWWR will change significantly depending on make of chassis and stabilizer option. Dur-A-Lift Inc. reserves the right to improve models and change specifications without notice or obligation. Dur-A-Lift equipment meets or exceeds all applicable ANSI Standards as of the date of manufacture.

### CONTROLS

- Proportional controls.
- Non-Proportional controls (DTAS-35TS).
- Lower controls with override.
- Engine start/stop from basket.
- Individual control levers.

### HYDRAULIC SYSTEM

- Rated pressure 2200 PSI.
- Operating pressure is 2000 PSI.
- Open center hydraulic system.

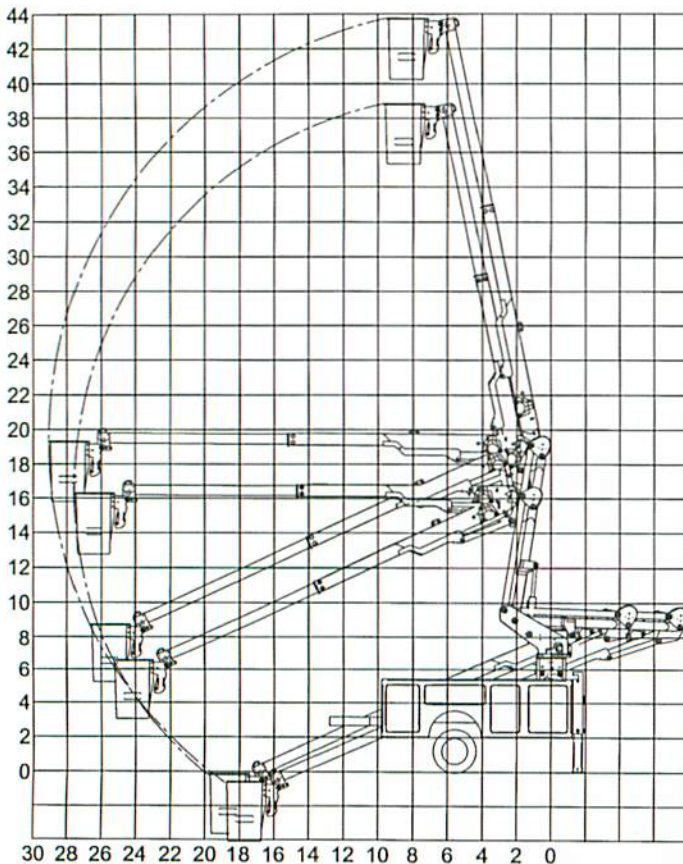
### MECHANICAL SYSTEM

- Articulating telescopic boom action.
- Offset main boom reduces travel height
- Shear ball rotation driven.
- Fully enclosed worm gear box.
- Non-continuous rotation.
- Insulated extension boom (DTA).
- 24"x24"x42" basket.
- Side hung basket.

### OPTIONS

- Single hand joystick upper control.
- Outriggers or torsion bars.
- 12 volt D.C. backup.
- End hung basket.
- Baskets offered in various sizes and configurations.
- Basket liner (DTA).
- Continuous rotation.
- Tool tray.
- Basket cover.
- Tool circuits.
- 24" x 94" tail shelf with walkup steps.
- 30" x 94" tail shelf with walkup steps.
- Main boom fiberglass insert (DTA).
- Articulating arm fiberglass insert (DTA).
- Paint color.

### REACH & ELEVATION



Basket shown in end hung position

*This aerial lift is sold and serviced by:*